

Pin header

mSATA

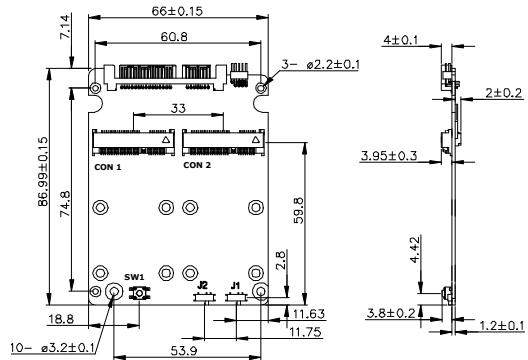
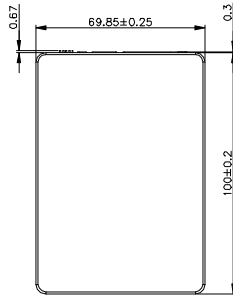
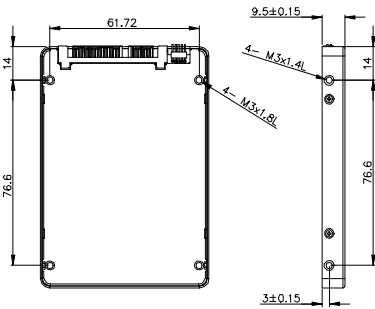
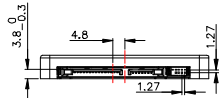
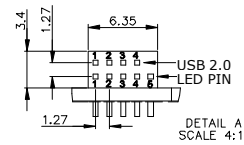
Features

- Supports SATA to dual SATA III Port Multiplier.
- Supports H/W RAID 0/1 over SATA.
- Supports USB 2.0 to dual SATA III.
- Pin header for Access/Error LED connection.
- 3 years warranty.
- Industrial design, manufacture in innodisk Taiwan

Mechanical Drawing

Pin Assignment

LED	Pin	USB 2.0
GND	1	GND
CON2 Error	2	D+
CON2 Access	3	D-
CON1 Error	4	5V
CON1 Access	5	



Specifications

Headquarters (Taiwan)

5F., No. 237, Sec. 1, Datong Rd.,
Xizhi Dist., New Taipei City 221,
Taiwan
Tel: +886-2-77033000
Email: sales@innodisk.com

Branch Offices:

USA
usasales@innodisk.com
+1-510-770-9421

Europe
eusales@innodisk.com
+31-040-282-1818

Japan
jpsales@innodisk.com
+81-45-594-7581

China
sales_cn@innodisk.com
+86-755-21673689

www.innodisk.com

© 2015 Innodisk Corporation.
All right reserved. Specifications
are subject to change without
prior notice.

July 27, 2015

Form-Factor	2.5" SSD
Input I/F	SATA III, USB 2.0
Output I/F	SATA III
Output Connector	mSATA x 2, Pin Header 9Pin x 1
TDP	2.45W (5V x 498mA)
Dimension (WxLxH)	69.85 x 100 x 9.5mm, Weight: 80g
Temperature	Operation: STD: 0°C ~ +70°C Storage: -55°C ~ +95°C
Environment	Vibration: 5G @7~2000Hz, Shock: 50G @ 0.5ms
Notes	1. RAID Mode Setting: [J1:J2] RAID0: 2:2, RAID1: 1:2, PM: 1:1 2. Press tact switch SW1 for reset.